

ZL-1502 *Zwei L* Stainless Steel Door Handle

Features

- Superior “Zwei L Finish” - *Zwei L* represents the very pinnacle of ultra-premium Japanese hardware design. The contrasting bands of mirror finish and lustrous satin on a faceted profile give a jewel like finish that highlights and enhances any industrial design
- Able to install on doors made of glass, wood, or metal

Material

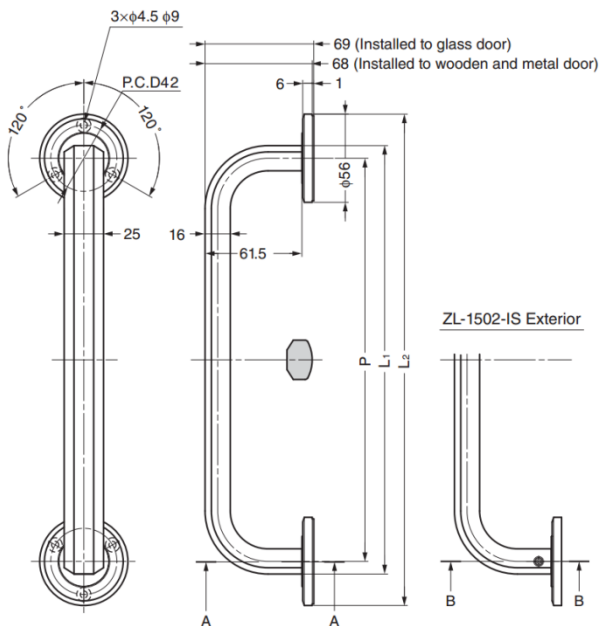
- Stainless steel 316, *Zwei L* finish

Notes

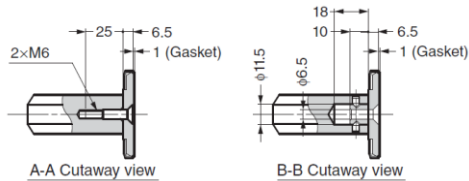
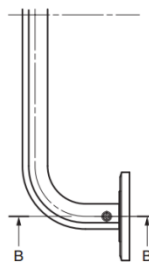
- Screws are not included in **ZL-1502-OS** and **ZL-1502-IS**
- Bore holes with ± 1 mm tolerance



ZL-1502-OS Interior



ZL-1502-IS Exterior



Part No.	Type	L ₁	L ₂	P
ZL-1502-OS-192	Exterior	208	248	192
ZL-1502-IS-192	Interior			
ZL-1502-WR-192	Back-to-Back with Base			
ZL-1502-OS-320	Exterior	336	376	320
ZL-1502-IS-320	Interior			
ZL-1502-WR-320	Back-to-Back with Base			
ZL-1502-OS-640	Exterior	656	696	640
ZL-1502-IS-640	Interior			
ZL-1502-WR-640	Back-to-Back with Base			
ZL-1502-IS-960	Interior	976	1,016	960

Working Diagram		Door Thickness (mm)	Door Hole (mm)	Item Name	
Back-to-Back on Glass Door	With Base Plate		6-12	φ 12	ZL-1502-WR
	Without Base Plate		6-12	φ 12	ZL-1502-WR
Back-to-Back on Wooden/Metal Frame Door	With Base Plate		40-52	φ 7	ZL-1502-WR
	Without Base Plate		38-50	φ 7	ZL-1502-WR
Single Use on Wooden/Metal Frame Door	With Base Plate		-	-	ZL-1502-OS
			φ 7	ZL-1502-OS	
	Without Base Plate		Screws not included.	-	ZL-1502-IS
			Screws not included.	-	ZL-1502-IS

*If door thickness exceeds recommended thickness, a longer bolt (not supplied) should be used